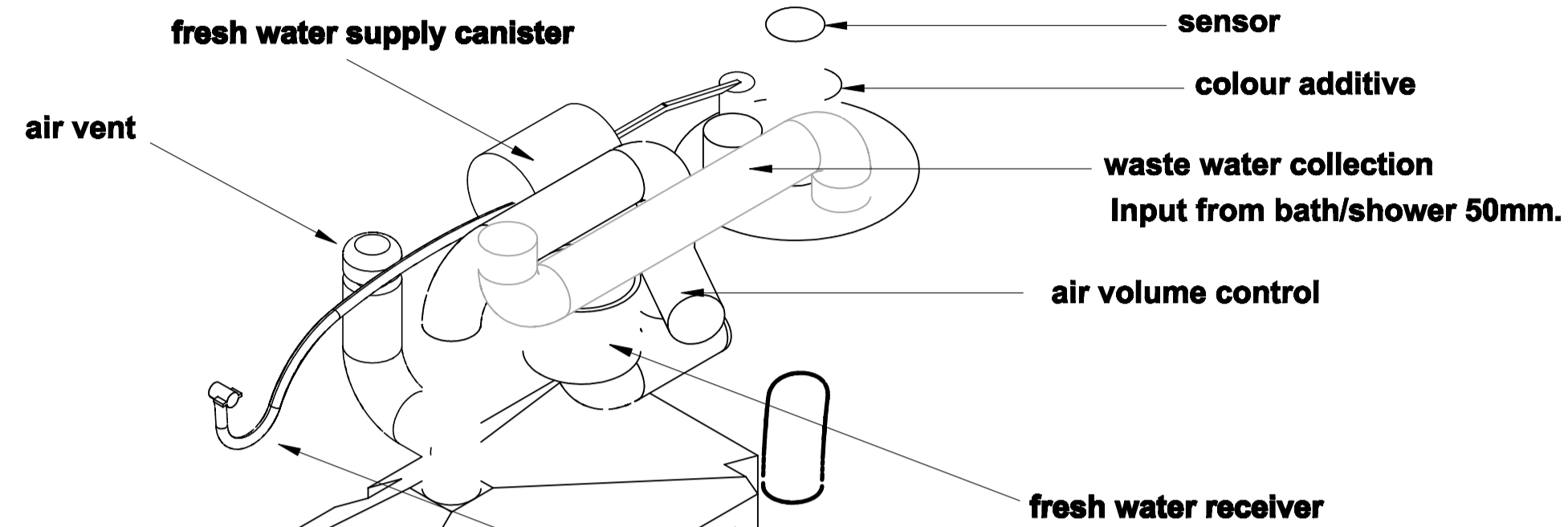


TOP



The input for the fresh water supply is connected with a 350mm long braided hose. Stop tap (3/8") to be installed by installer.

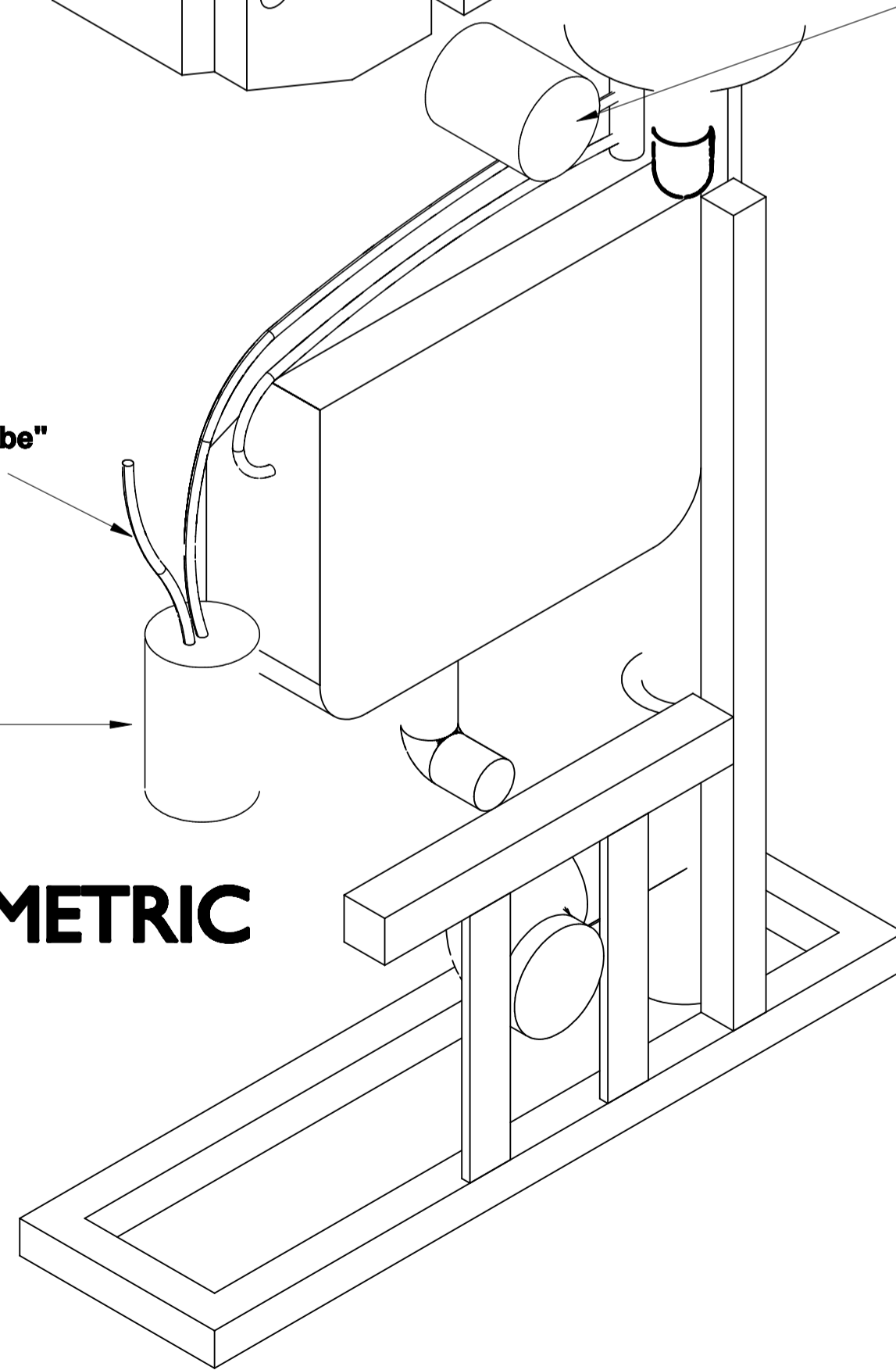
ECU 220v AC
2 connections by installer, connected through breaker

- Output from ecoplay 75mm.
- Output from toilet 90mm.
- Connection to sewage to be supplied by installer.
- Sewage connection upstairs toilet requires additional connection.

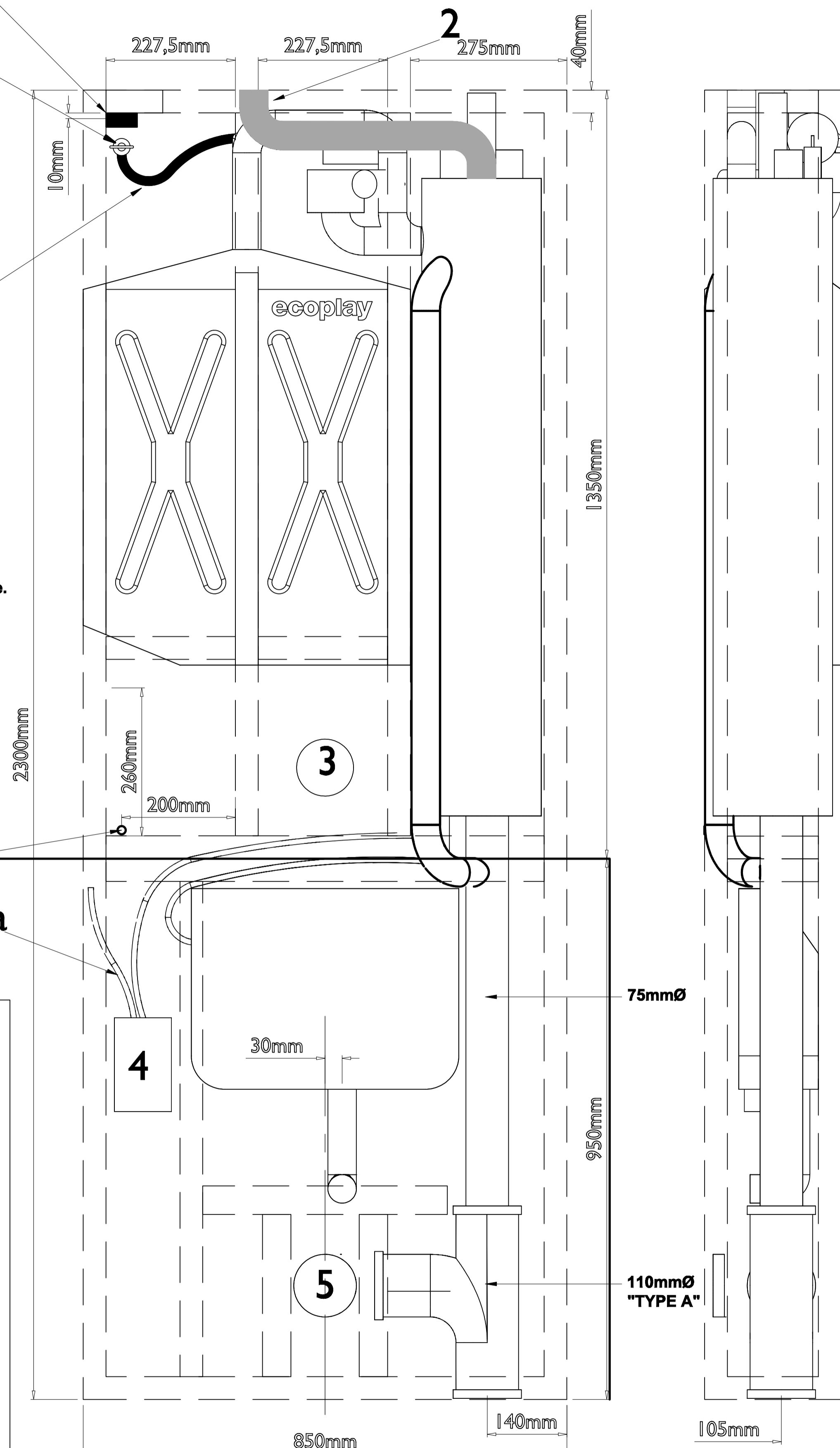
"safe water tube" to 2nd. toilet

pump 220AC

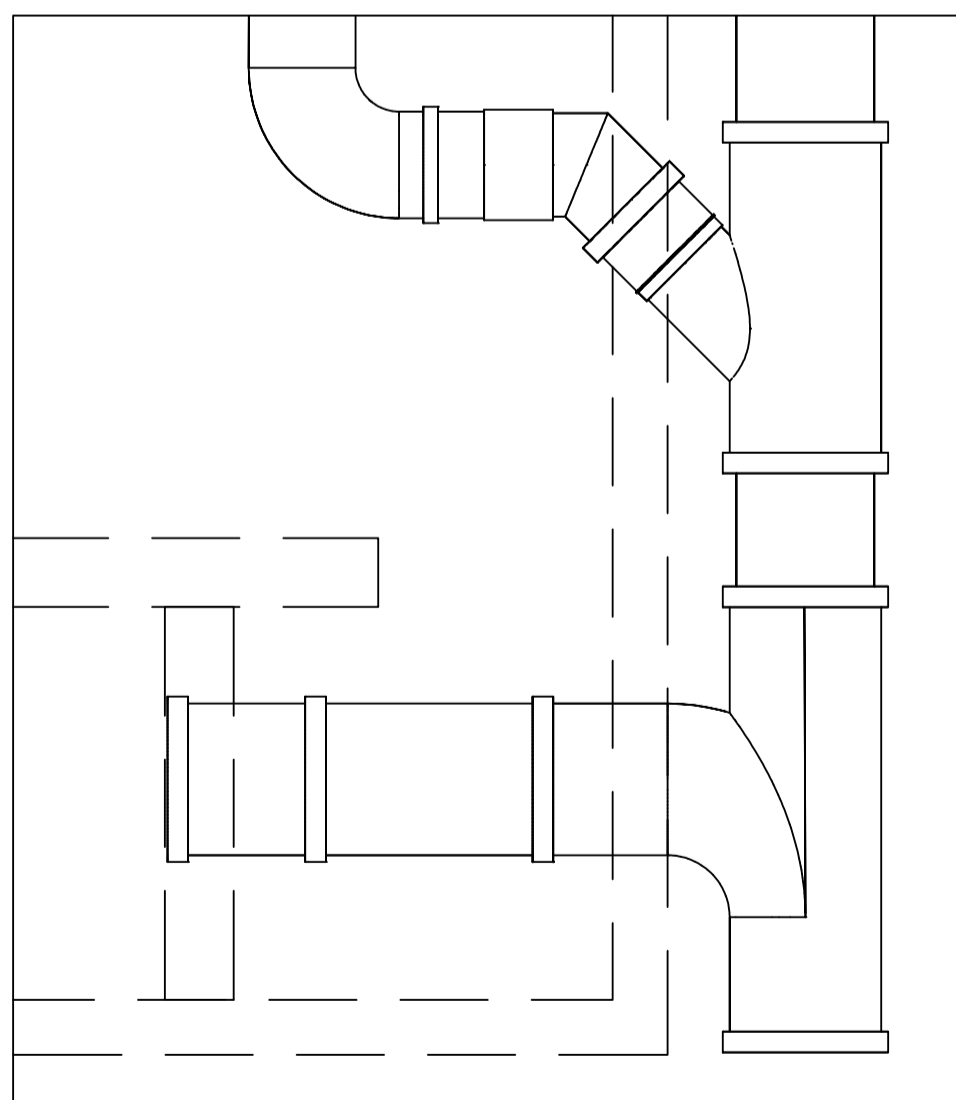
ISOMETRIC



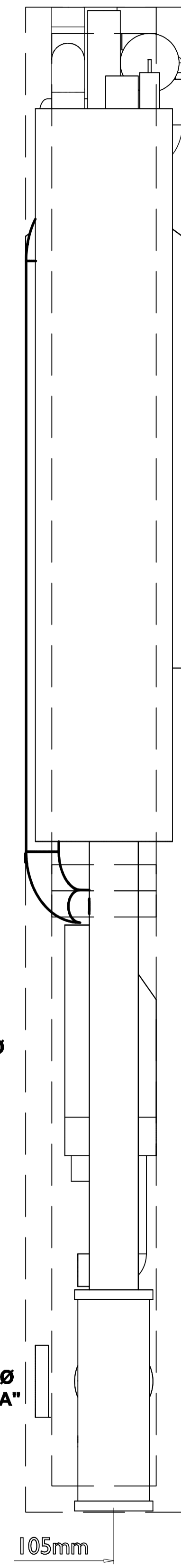
240v 50Hz mains supply switched fused spur / socket
mains water supply



FRONT (TYPE "A")



(TYPE "B")



SIDE

KEY:

1. fresh water supply
2. waste water from bath/shower
3. ECU: Powered via transformer 260v - 50Hz - 16W 12v - 800mA - 9.6VA
4. pump: 220v - 50 Hz 35 / 45W. 0.38 / 0.42A
- 4a. 4 core cable connection 7.5mm cable. rated 220/240v 0.38 / 0.42A
5. toilet connections & adjustment

TYPE "A": where Ecoplay has access to its own soil pipe (SVP).

TYPE "B": where soil pipe (SVP) is existing & extends to upstairs toilet.

NOTE: on same floor applications a sanivite pump is required.

drawing	1	of	2
project	Ecoplay Service Connection Template For Tower Unit.		
scale	drawn by	date drawn	
1:10	MCW	05-03-08	



Polypipe Sanitary Systems
 Warmworth Halt Industrial Estate
 Warmworth
 Doncaster DV4 9LS
 United Kingdom
 t: +44(0)1709 770990
 f: +44(0)1302 856421
 www.ecoplay.co.uk